

Specifications

Models	GS-2646 AV	
Measurements	US	Metric
Working height maximum*	32 ft 6 in	9.91 m
Platform height maximum**	26 ft 6 in	7.92 m
Platform height stowed	4 ft 1 in	1.24 m
Platform length - outside	7 ft 8 in	2.34 m
extended	12 ft 8 in	3.86 m
Extension deck	5 ft	1.52 m
Platform width - outside	3 ft 9.3 in	1.15 m
Guardrail height	3 ft 7 in	1.09 m
Toeboard height	6 in	0.15 m
Height - stowed	7 ft 11 in	2.41 m
Length - stowed	8 ft 8 in	2.64 m
extended	13 ft 8 in	4.16 m
Width - with protective padding	4 ft 9 in	1.45 m
Wheelbase	6 ft 1 in	1.85 m
Ground clearance - center	3.76 in	95 mm
- with pothole guards deployed	0.75 in	0.02 m

Productivity

Maximum platform occupancy	3	3
Lift capacity	900 lbs	408 kg
Lift capacity - extension deck	300 lbs	136 kg
Drive speed - stowed	2.2 mph	3.5 km/h
Drive speed - raised	0.5 mph	0.8 km/h
Gradeability - stowed	25%	
Turning radius - inside	zero	zero
Turning radius - outside	7 ft 6 in	2.29 m
Raise / lower speed	30 / 38 sec	30 / 38 sec
Controls	2 speed	
Drive	dual front wheel	
Multiple disc brakes	dual rear wheel	
Tires - solid non-marking	15 x 5 x 11 in	38 x 13 x 28 cm

Power

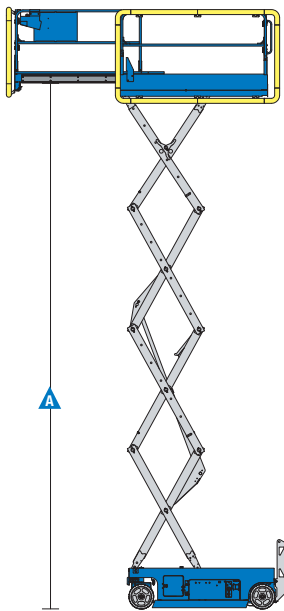
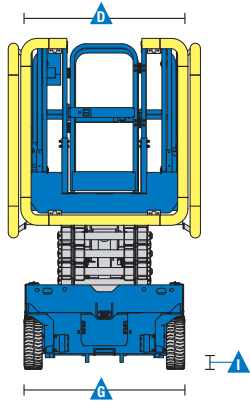
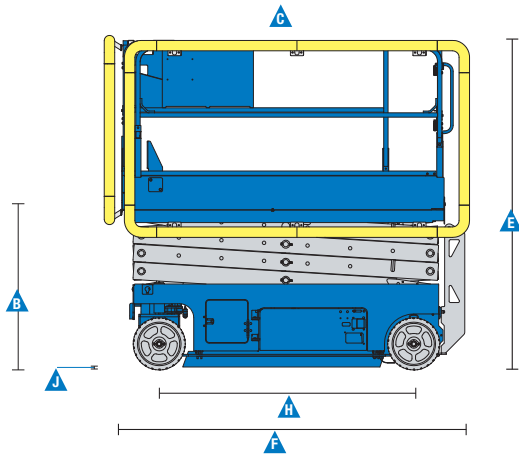
Power source	24 V DC (four 6 V 225 Ah batteries)	
Hydraulic system capacity	4.5 gal	17 L

Weight***

ANSI/CSA	5,225 lbs	2,370 kg
----------	-----------	----------

Standards Compliance

ANSI A92.6, CSA B354.2,



* The metric equivalent of working height adds 2 m to platform height.

U.S. adds 6 ft to platform height.

** Maximum clearance with extension deck deployed is 25 ft 9 in.

*** Weight will vary depending on options and/or country standards.

Features

Standard Features

Measurements

GS-2646 AV

- 32 ft 6 in (9.91 m) working height
- Up to 900 lbs (408 kg) lift capacity

Productivity

- 92 x 45.3 in (2.30 x 1.15 m) steel platform
- 60 in (1.52 m) powered extension deck
- AC power to platform
- Full height swing gate
- Dual front wheel drive
- Front gate
- Gate and extension deck limit switches
- Universal 20 amp smart charger
- Rear recessed charger receptacle
- Padded aircraft protection rail (PAR)
- SmartLink™ - proportional lift and drive
- Platform control with battery charge indicator and diagnostic display
- Tread-grip deck
- On-board diagnostic system
- 28 mph (45 km/h) wind rating
- Lanyard attachment points
- Manual platform lowering valve
- Emergency stop at both platform and ground controls
- Rear wheel multiple disc brakes
- Front wheel hydraulic dynamic braking
- Brake release
- Swing-out component trays
- Solid non-marking tires
- Pothole guards
- Tilt level sensor with audible alarm
- Descent alarm
- Electronic horn
- Skydrol resistant paint

Power

- 24 V DC (four 6 V 225 Ah batteries)

Options & Accessories

Productivity Options

- Air line to platform
- Dual flashing beacons
- Motion alarm
- Keyless switch
- Remote charging (no on-board charger)
- 35 mph (56 km/h) wind rating

Power Options

- EE rating
- Power inverter (120 V / 60 Hz)
- AGM maintenance-free batteries



Genie United States

18340 NE 76th Street
P.O. Box 97030
Redmond, Washington 98073-9730
Telephone +1 (425) 881-1800
Toll Free in USA/Canada +1 (800)-536-1800
Fax +1 (425) 883-3475

Distributed By:



ACCÈS LOCATION +

Effective Date: February, 2015. Product specifications and prices are subject to change without notice or obligation. The photographs and/or drawings in this document are for illustrative purposes only. Refer to the appropriate Operator's Manual for instructions on the proper use of this equipment. Failure to follow the appropriate Operator's Manual when using our equipment or to otherwise act irresponsibly may result in serious injury or death. The only warranty applicable to our equipment is the standard written warranty applicable to the particular product and sale and we make no other warranty, express or implied. Products and services listed may be trademarks, service marks or trade names of Terex Corporation and/or their subsidiaries in the USA and many other countries. Genie is a registered trademark of Terex South Dakota, Inc. © 2015 Terex Corporation.