



SJ82/86 T TELESCOPIC BOOM

STANDARD FEATURES

- Axle based 4WD system
- Operator controlled locking rear differential and limited slip front differential
- Oscillating axle
- Drivable at full height
- Dual capacity rating
- 45% Gradeability
- Diesel engine
- Swing out engine tray
- Swing up cowlings
- Modular platform railing system
- Tri-entry sliding mid rails
- 110V AC outlet on platform with GFI
- Direction sensing drive and steer controls
- Proportional controls
- Relay based control system
- Color coded and numbered wiring
- 360° continuous turret rotation
- Hourmeter
- Operator horn
- All motion alarm
- Tie down points
- Wet disc SAHR brakes (front and rear axle)
- 18 x 625 grip lug foam filled tires
- Telematics ready

* Standard lead times may be increased when optional equipment is added, consult factory.

† Capacities, and machine weights may differ when options are added.

ACCESSORIES AND OPTIONS

- 36 x 72" Platform
- 3.5 kW generator (includes hydraulic oil cooler)
- Welder ready package (includes 12 kW generator, hydraulic oil cooler, 3 phase power connection in platform, and welder mount.)
- Welder package (includes 12 kW generator, hydraulic oil cooler, 3 phase power connection in platform, welder mount and Lincoln V275-S welder)
- Cold weather start kit (includes cold start engine oil, battery blanket, and hydraulic tank heater)
- Arctic weather package (includes arctic engine oil, battery blanket, hydraulic tank heater, block heater, arctic hydraulic oil, arctic platform rotator and arctic gear oil in the axels and swing drive. Glow plugs, arctic hydraulic hoses (all), and oversized foot switch cover are also included (standard equipment).
- Hydraulic oil cooler
- Flashing light
- Platform work lights
- 1/2" airline to platform
- Positive air shut-off valve
- Non destructive testing
- Glazier kit
- Hostile environment package (Includes cylinder bellows, boom wipers, covers for the fly boom cutouts, and control box cover)
- Auxiliary top rail (36 x 96" platform only)
- Control box cover
- Pipe rack
- Side gate
- Lifting lugs
- Bio oil
- Warranty Options (3 year or 5 year plans available)

TIRE OPTIONS

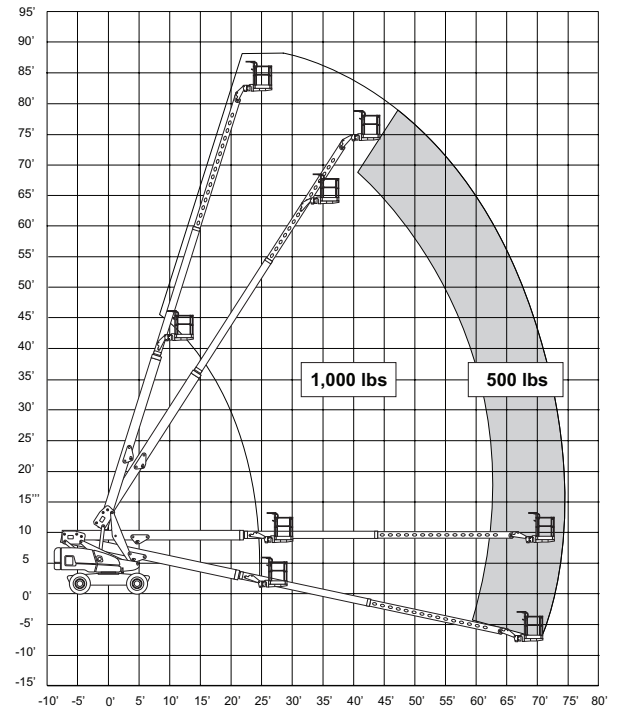
- Grip lug foam-filled non marking tires

SJ82/86 T TELESCOPIC BOOM

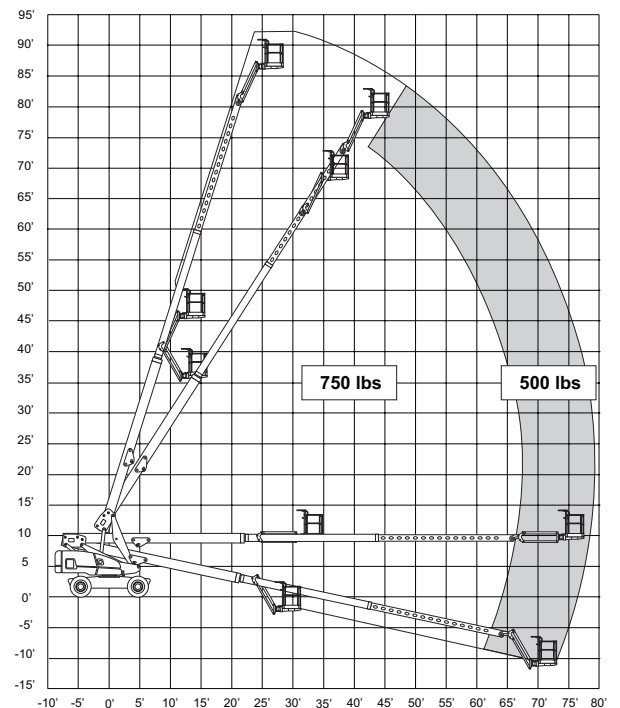
Dimensions*	SJ82 T	SJ86 T
Work Height	88' (26.82 m)	92' (28.04 m)
Platform Height	82' (24.99 m)	86' (26.21 m)
Horizontal Reach	72'6" (22.10 m)	76'10" (23.42 m)
Platform Size	36" x 96" (0.91 x 2.44 m)	36" x 96" (0.91 x 2.44 m)
Stowed Width	98" (2.49 m)	98" (2.49 m)
Tailswing	56" (1.42 m)	56" (1.42 m)
Stowed Height	118" (3.00 m)	118" (3.00 m)
Stowed Length	37'10" (11.53 m)	42'6" (12.95 m)
Wheelbase	132" (3.35 m)	132" (3.35 m)
Ground Clearance	16" (0.41 m)	16" (0.41 m)

Specifications*	SJ82 T	SJ86 T
Rotation	360° Continuous	
Platform Rotation	170°	170°
Jib Length	-	5'6" (1.68 m)
Jib Range +/-	-	+65° / -60°
Weight	37,150 lbs (16,851 kg)	37,800 lbs (17,146 kg)
Gradeability	45%	45%
Turning Radius (Inside)	160" (4.06 m)	138" (3.51 m)
Turning Radius (Outside)	280" (7.11 m)	280" (7.11 m)
Axle Oscillation	4" (10.16 cm)	4" (10.16 m)
Drive Speed (High speed)	3.5 mph (5.6 km/h)	3.5 mph (5.6 km/h)
Capacity	500 lbs (227 kg) / 1000 lbs (454 kg)	500 lbs (227 kg) / 750 lbs (341 kg)
Maximum # of Persons	2/3	2/3
Tire Type	Foam Filled	Foam Filled
Tire Size	18-625	18-625
Diesel Engine	74 HP	
Fuel Tank Capacity	45 gallon (170 L)	
Hydraulic Reservoir	60 gallon (227 L)	

* Preliminary specifications at time of printing. Consult your local area sales representative for details.



SJ82 T Work Height



SJ86 T Work Height

Skyjack Head Office
 55 Campbell Rd. Guelph, ON Canada N1H 1B9
 Sales Inquiries: 1-877-755-4387 (1-877-SJLIFTS)
 Main Switchboard: 1-800-265-2738
 Phone: 519-837-0888
 Fax: 519-837-8104
 Email: skyjack@skyjack.com
 www.skyjack.com



This brochure is for illustrative purpose only and based on the latest information at the time of printing. Skyjack Inc. reserves the right to make changes at any time, without notice, to specifications, standard and optional equipment. Consult the Operating Maintenance and Parts Manuals for proper procedures. Work platforms have been tested to comply with ANSI and CSA standards as interpreted by Skyjack Inc.

