

Model 800 SERIES

TELESCOPIC BOOM LIFTS



Features

6 ft (1.83 m) Articulating Jib (860SJ Only)
Platform: 36 x 96 in. (0.91 x 2.44 m) Side Entry
Inward Swinging Gate
Dual-Rated Capacities
SkyPower® Package
Oscillating Axle
Hydraulic Platform Rotator
110V AC Receptacle in the Platform
5 Degree Tilt Alarm/Indicator Light
Swing-Out Engine Tray
12V DC Auxiliary Power
Hourmeter
Fuel Gauge
Control ADE® System
All Motion Alarm
Proportional Controls
Gull-Wing Hoods
Hydrostatic Drive
Operators Tool Tray
Platform Console Machine Status Light Panel*
Lifting/Tie Down Lugs
Engine Distress Warning/Shutdown—
Selectable via JLG Analyzer
15-625 Rim Protector Lug Tread Tires
Glow Plugs (Diesel Engines)

* Provides indicator lights at platform control console for system distress, fuel level, low fuel, 5 degree tilt light and foot switch status.

Accessories & Options

Platform: 36 x 72 in. (0.91 x 1.83 m)
Fall Arrest Platform
(Requires Foam Filled Tires)
Mesh to Top Rail
Light Package¹
Flashing Amber Beacon
15-625 Foam Filled Tires
18-625 Foam Filled Tires
Soft-Touch System
Catalytic Muffler
Cold Weather Start Kit²
Hostile Environment Kit³
Arctic Package⁴
Platform Worklights
Tow Package
Special Hydraulic Oils (Consult Factory)

Accessory Packages:

SkyWelder®
SkyGlazier®
Nite Bright®
SkyCutter®
Pipe Rack
SkyAir®

1. Includes platform mounted work lights and drive/backup lights.
2. Engine block heater, battery heater and oil tank heater.
3. Includes console cover, boom wipers and cylinder bellows.
4. Includes arctic hydraulic hoses (drive and steer only and main boom cable, arctic hydraulic oil, extreme cold engine oil, anti-freeze (CAT only), fuel conditioner, engine block heater, battery blanket, glow plugs, hydraulic tank heater and oversized foot switch.



Optimum Performance, Increased Productivity

- Go from ground to 80 ft (24.38 m) in less than 67 seconds—40% faster than competitive models
- Revolutionary Workstation in the Sky® accessory packages enhance the work environment and increase productivity

Easier Maintenance, Reduced Costs

- Swing-out engine tray allows for faster and easier access for routine maintenance
- Exclusive Advanced Design Electronics (Control ADE®) System provides smoother machine functions, increased fuel efficiency and reduced emissions

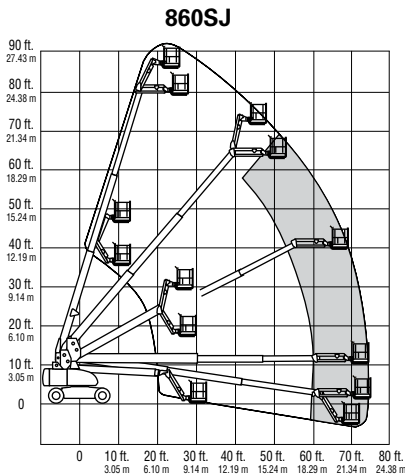
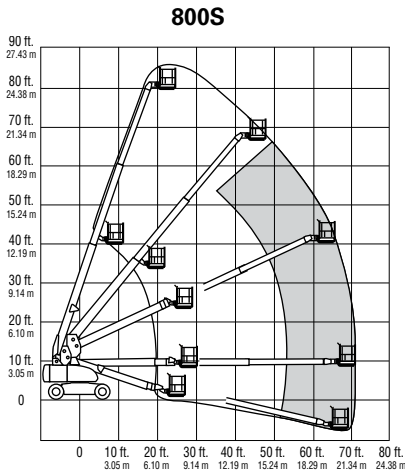
Higher Capacity and Improved Performance

- Dual-rated platform capacities up to 1,000 lb (454 kg)
- 45% gradeability and oscillating axle for improved traction

Model 800 SERIES

TELESCOPIC BOOM LIFTS

Specifications



Reach

Platform Height	
800S	80 ft (24.38 m)
860SJ	86 ft (26.21 m)
Horizontal Outreach	
800S	71 ft (21.64 m)
860SJ	75 ft (22.86 m)
Swing	360° Continuous
Platform Capacity—	
Restricted (800S)	1,000 lb (454 kg)
Restricted (860SJ)	750 lb (340 kg)
Platform Capacity—	
Unrestricted	500 lb (227 kg)
Platform Rotator	180° Hydraulic
Jib Range of Articulation	
860SJ	130° (+70, -60)

Dimensions

A. Platform Size	36 x 96 in. (0.91 x 2.44 m)
B. Overall Width	8 ft 2 in. (2.49 m)
C. Tailswing (working condition)	4 ft 8 in. (1.42 m)
D. Stowed Height	
800S	9 ft 11 in. (3.02 m)
860SJ	10 ft (3.05 m)
E. Stowed Length	
800S	37 ft 3 in. (11.35 m)
860SJ	40 ft (12.19 m)
F. Wheelbase	10 ft (3.05 m)
G. Ground Clearance	12 in. (30 cm)
Weight ¹	
800S	33,200 lb (15,060 kg)
860SJ	36,400 lb (16,511 kg)
Max. Ground Bearing Pressure	
800S	72 psi (5.06 kg/cm ²)
860SJ	81 psi (5.69 kg/cm ²)

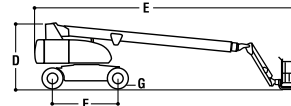
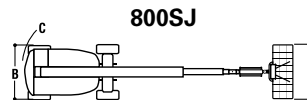
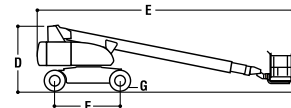
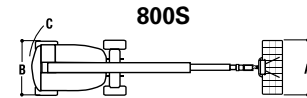
Chassis

Drive Speed 2WD	3.5 mph (5.6 kmph)
Drive Speed 4WD	3.5 mph (5.6 kmph)
Gradeability 2WD	30%
Gradeability 4WD	45%
Tires	15.625 Pneumatic
Turning Radius	
Inside	12 ft (3.66 m)
Outside	22 ft 6 in. (6.86 m)

1. Certain options or country standards increase weight.

Power Source

Dual Fuel Engine,	
GM Vortec 3000 MPFI	82 hp (61 kW)
Diesel Engine,	
Deutz D2011L04 with EGR	64 hp (47 kW)
Diesel Engine,	
Caterpillar C3.4	63.3 hp (47.2 kW)
Fuel Tank Capacity	31 gal (117.3 L)
Hydraulic Reservoir	48 gal (181.7 L)
Auxiliary Power	12V DC



The JLG "1 & 5" Warranty

JLG Industries, Inc. backs its products with its exclusive "1 & 5" Warranty. We provide coverage on all products for one (1) full year, and cover all specified major structural components for five (5) years. Due to continuous product improvements, we reserve the right to make specification and/or equipment changes without prior notification. This machine meets or exceeds applicable OSHA Regulations in 29 CFR 1910.67, 29 CFR 1926.453, ANSI A92.6-2006, and CSA Standard CAN3-B354.2-M82, as originally manufactured for intended applications.



Form No.: SS-800S-0906-15M
Part No.: 3131024
R011209
Printed in USA

JLG Industries, Inc.
1 JLG Drive
McConnellsburg, PA 17233-9533
Telephone 717-485-5161
Toll-free in US 877-JLG-LIFT
Fax 717-485-6417
www.jlg.com

An Oshkosh Corporation Company